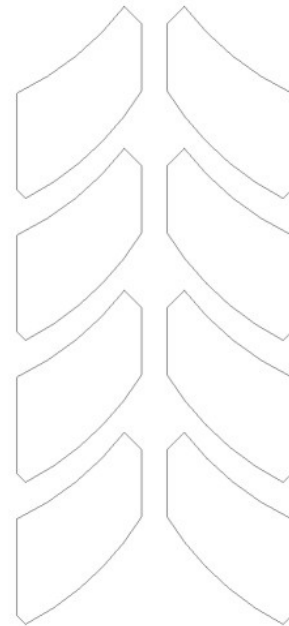


<i>Tyre Manufacturer</i>	LeCont s.r.l.	
<i>Make</i>	LeCont	
<i>Model</i>	ALL WEATHER 10x4.00-5 MSA 04	
<i>Category</i>	Groupe 2 / Group 2	
<i>Validity of the homologation</i>		
<i>Number of pages</i>	4	

This Homologation Form reproduces descriptions, illustrations and dimensions of the tyre



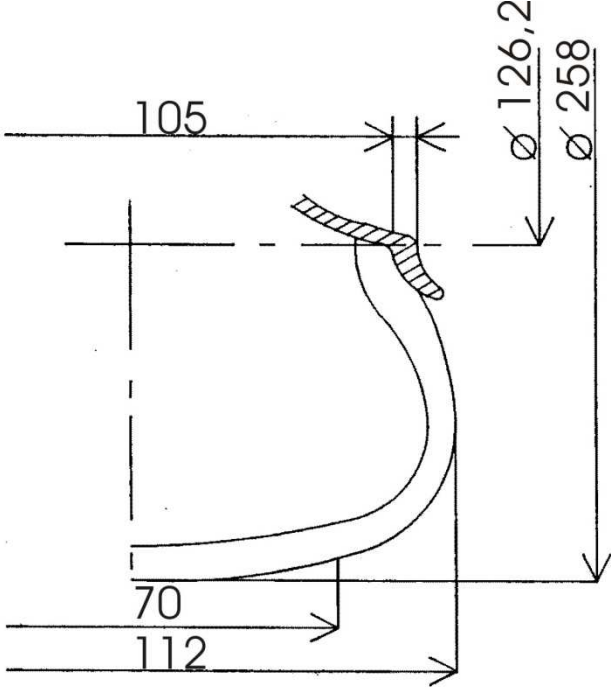
PHOTO OF THE TYRE FITTED TO THE RIM



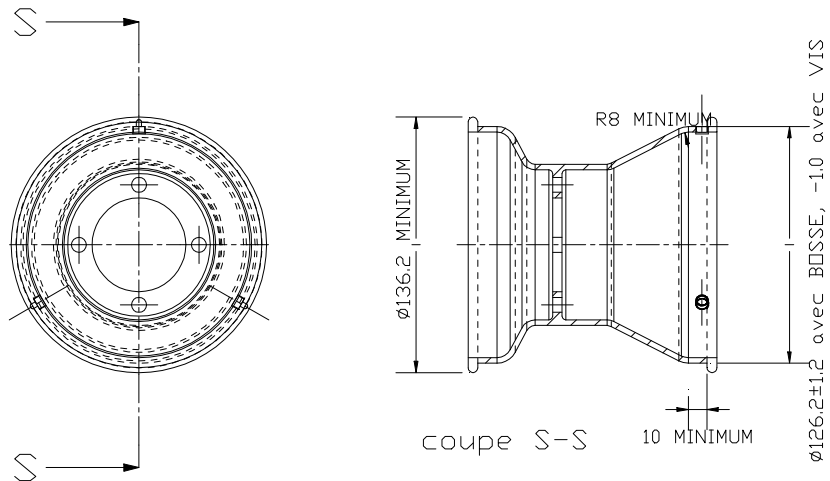
TREAD DESIGN DRAWING

<i>Signature and stamp of the Manufacturer</i>	<i>Signature and stamp of the ASN</i>

TECHNICAL DESCRIPTIONS			
At a temperature of 23°C +/- 2°C and with a humidity of 50% +/-5%			
Pt	Descriptions	Valeurs	Tolérances
1	<i>Dimensions</i>	10x4.00-5	-
2	<i>Tread compound designation</i>	MSA 04	-
3	<i>Service pressure</i>	0,9 bar	+/- 0,3 bar
4	<i>Maximum inflation pressure</i>	4,00 bar	Max
5	<i>Maximum load capacity</i>	80 Kg	Max
6	<i>Maximum speed</i>	130 Km/h	Max
7	<i>Depth of tread</i>	3,5 mm	+/- 0,5 mm
8	<i>Weight in grams</i>	880 gr	+/- 10 %
9	<i>Numbers of plies</i>	2	-
10	<i>Tread thickness</i>	4,5 mm	+/- 1,0 mm
11	<i>Number of tread wear indicators</i>	6	-
12	<i>Carcass material</i>	Polyestere	-
13	<i>Angle of tyre canvass</i>	30°	+/- 5°
14	<i>Tubeless tyre</i>	Yes	-
15	<i>Superficial tread hardness (ISO 48/94 – 2 samples of 2mm thickness)</i>	63,0	+/- 5 IRHD
16	<i>Classification</i>	ALL WEATHER	

B	DRAWING OF CROSS SECTION AND DIMENSIONS OF TYRE FITTED TO A RIM	B														
		<table border="1"> <thead> <tr> <th colspan="2">Tolerances</th> </tr> <tr> <th>mm</th> <th>mm</th> </tr> </thead> <tbody> <tr> <td>Diam. 126,2</td> <td>+0,0 -1,0</td> </tr> <tr> <td>Diam. 258,0</td> <td>+/- 6,0%</td> </tr> <tr> <td>105</td> <td>+/- 3,0</td> </tr> <tr> <td>112</td> <td>+/-5,0%</td> </tr> <tr> <td>70</td> <td>+/-5,0%</td> </tr> </tbody> </table>	Tolerances		mm	mm	Diam. 126,2	+0,0 -1,0	Diam. 258,0	+/- 6,0%	105	+/- 3,0	112	+/-5,0%	70	+/-5,0%
Tolerances																
mm	mm															
Diam. 126,2	+0,0 -1,0															
Diam. 258,0	+/- 6,0%															
105	+/- 3,0															
112	+/-5,0%															
70	+/-5,0%															
		Comments														

Standardised 5" rim



C	PHOTOS AND INSCRIPTIONS	<i>Only inscriptions which will not change during production are mentioned below.</i>		
C				
<i>Photo of tyre external side wall</i>		<i>Inscriptions on tyre external side wall</i>		
		<i>Text</i>	<i>Height</i>	<i>Stroke</i>
		<p data-bbox="826 667 1136 728">LeCONT </p> <p data-bbox="917 784 1053 817"><i>TUBELESS</i></p> <p data-bbox="885 855 1085 896"><i>10 X 4.00 - 5</i></p> <p data-bbox="826 936 1136 963">FOR RACING PURPOSE ONLY</p> <p data-bbox="837 996 1125 1023">MAX INFLATION PRESSURE</p> <p data-bbox="906 1048 1056 1075">4 BAR / 58 PSI</p> <p data-bbox="901 1108 1061 1135">MADE IN ITALY</p>	<p data-bbox="1209 698 1264 725">18,0</p> <p data-bbox="1209 790 1257 817">7,0</p> <p data-bbox="1209 864 1264 891">11,0</p> <p data-bbox="1209 936 1257 963">4,5</p> <p data-bbox="1209 996 1257 1023">4,5</p> <p data-bbox="1209 1048 1257 1075">4,5</p> <p data-bbox="1209 1108 1257 1135">4,5</p>	<p data-bbox="1396 698 1444 725">3,0</p> <p data-bbox="1396 790 1444 817">0,8</p> <p data-bbox="1396 864 1444 891">0,8</p> <p data-bbox="1396 936 1444 963">0,5</p> <p data-bbox="1396 996 1444 1023">0,5</p> <p data-bbox="1396 1048 1444 1075">0,5</p> <p data-bbox="1396 1108 1444 1135">0,5</p>
<i>Photo of tyre internal side wall</i>		<i>Inscriptions on tyre internal side wall</i>		
		<i>Text</i>	<i>Height</i>	<i>Stroke</i>
		<p data-bbox="837 1384 1125 1478">LeCONT  (Printed)</p> <p data-bbox="933 1541 1053 1579">MSA 04</p> <p data-bbox="885 1617 1085 1657"><i>10 X 4.00 - 5</i></p> <p data-bbox="826 1697 1136 1724">FOR RACING PURPOSE ONLY</p> <p data-bbox="837 1758 1125 1785">MAX INFLATION PRESSURE</p> <p data-bbox="906 1809 1056 1836">4 BAR / 58 PSI</p>	<p data-bbox="1209 1541 1257 1568">8,0</p> <p data-bbox="1209 1617 1264 1644">11,0</p> <p data-bbox="1209 1697 1257 1724">4,5</p> <p data-bbox="1209 1758 1257 1785">4,5</p> <p data-bbox="1209 1809 1257 1836">4,5</p>	<p data-bbox="1396 1541 1444 1568">2,0</p> <p data-bbox="1396 1617 1444 1644">0,8</p> <p data-bbox="1396 1697 1444 1724">0,5</p> <p data-bbox="1396 1758 1444 1785">0,5</p> <p data-bbox="1396 1809 1444 1836">0,5</p>