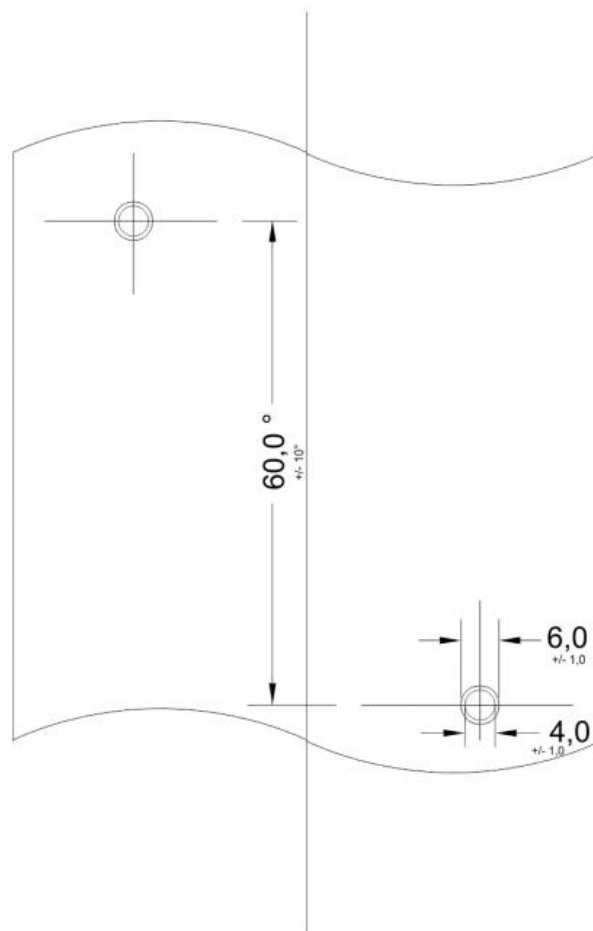


TYRE SPECIFICATIONS

2022-2026 AUSTRALIAN KARTING ASSOCIATION LTD. (Karting Australia)

TYRE TENDER

| | |
|-------------------------------------|--------------------|
| <i>Tyre Manufacturer</i> | LeCont srl |
| <i>Tyre Supplier</i> | Kingarth Pty Ltd |
| <i>Make</i> | LeCont |
| <i>Model</i> | LH03 AUS 11x7.10-5 |
| <i>Competition Group / Class/es</i> | Groups 1B |
| <i>Number of pages</i> | 4 |
| <i>Number of appended pages</i> | 0 |



TREAD DESIGN DRAWING

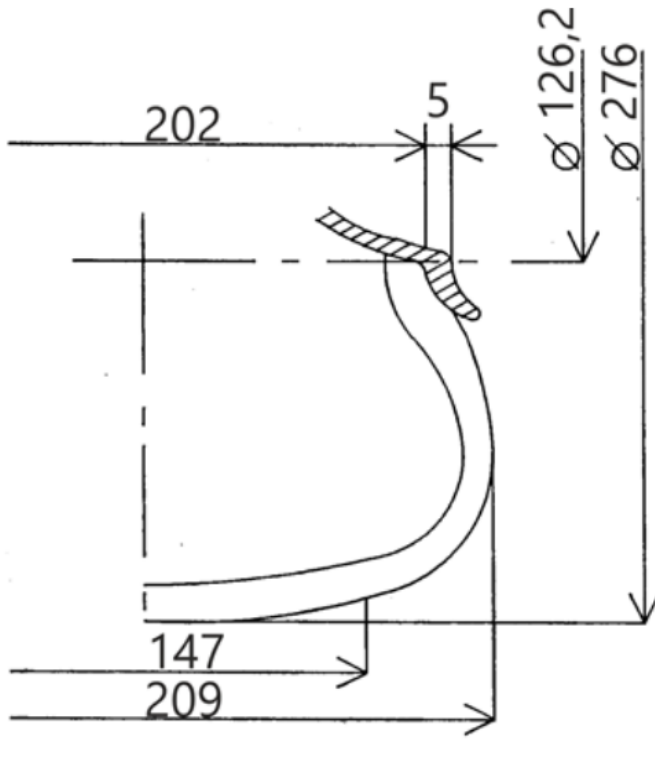
TECHNICAL DESCRIPTIONS

At a temperature of 23°C +/- 2°C and with a humidity of 50% +/-5%

| Pt | Descriptions | Value | | Tolerances |
|----|---|-----------------|-------------------|----------------------|
| 1 | Dimensions | 11x7.10-5 | | - |
| 2 | Tread compound designation | LH03 AUS | | - |
| 3 | Service pressure | 0.7 bar | | +/- 0,3 bar |
| 4 | Maximum inflation pressure | 4.0 bar | | Max |
| 5 | Recommended Inflation pressure | ----- | | |
| 6 | Maximum load capacity | 100 kg | | Max |
| 7 | Maximum speed | 200 km/h | | Max |
| 8 | Depth of tread | 4.0 mm | | +/- 0,5 mm |
| 9 | Weight in grams | 1580 gr | | +/- 10 % |
| 10 | Numbers of ply | 2 | | - |
| 11 | Tread thickness | 4.6 mm | | +/- 1,0 mm |
| 12 | Number of tread wear indicators | 6 | | - |
| 13 | Carcass material | Polyester | | - |
| 14 | Angle of tyre canvass | 30° | | +/- 5° |
| 15 | Canvass thread type (According to ISO) | 1670 | | - |
| 16 | Tubeless tyre | Yes | | - |
| 17 | Superficial tread hardness (ISO 48 :2010 – 2 samples of 2mm thickness) | 55.0 | | +/- 5 DIDC - IRHD |
| | | | | |
| | | | | |
| 18 | Classification (According to ISO 37:2005 – 300%) (DELETE OR ADJUST THOSE NOT APPROPRIATE) | SOFT | MEDIUM | HARD |

B

DRAWING OF CROSS SECTION AND DIMENSIONS OF TYRE FITTED TO A RIM



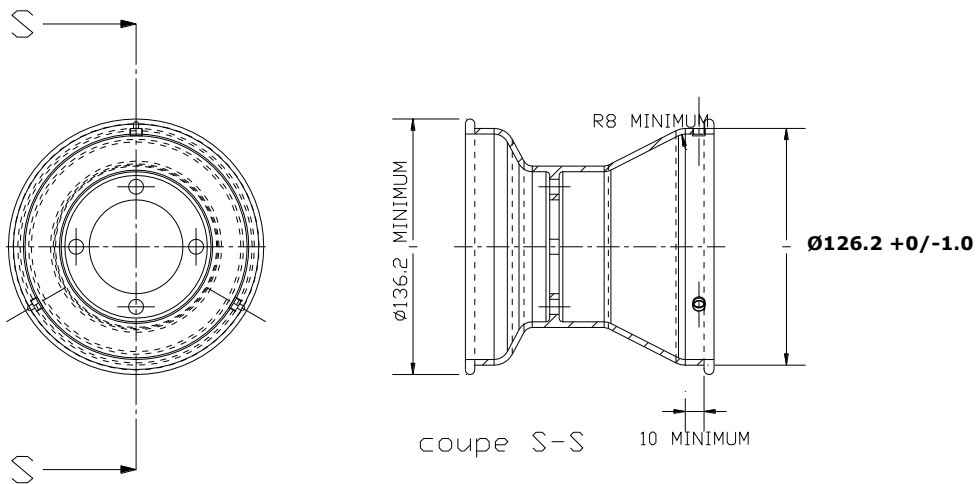
Dimensions / Tolerances

| | |
|------------|-------------|
| Ø 276.0 mm | +/- 6.0 mm |
| Ø 126.2 mm | +0/- 1.0 mm |
| 202.0 mm | +/- 2.0 mm |
| 208.0 mm | +/- 6.0 mm |
| 147.0 mm | +/- 5.0 mm |
| | |
| | |
| | |
| | |
| | |
| | |
| | |
| | |
| | |

Comments

(*) Dimension according to the CIK-FIA technical Drawing n° 4 – standardized 5" rim

Standardised 5" rim



| C | PHOTOS AND INSCRIPTIONS | Only inscriptions which will not change during production are mentioned below. | | |
|---|-------------------------|--|-------------|-------------|
| <i>Photo of tyre external side wall</i> | | <i>Inscriptions on tyre external side wall</i> | | |
|  | | Text | Height (mm) | Stroke (mm) |
| | | <p>LECONT AUS</p> <p>Printed colorful Light Grey lettering</p> <hr/> <p>Barcode</p> <hr/> <p>FOR RACING PURPOSE ONLY</p> <p>MAX INFLATION PRESSURE 4.0 BAR – 58 PSI</p> <p>TUBELESS</p> | 4.5 mm | 0.8 mm |
| <i>Photo of tyre internal side wall</i> | | <i>Inscriptions on tyre internal side wall</i> | | |
|  | | Text | Height (mm) | Stroke (mm) |
| | | <p>LeCont</p> <hr/> <p>Barcode</p> <hr/> <p>FOR RACING PURPOSE ONLY</p> <p>MAX INFLATION PRESSURE 4.0 BAR – 58 PSI</p> <p>TUBELESS</p> <hr/> <p>11x7.10-5 LH03</p> | 18-10 mm | 3.5-2.5mm |